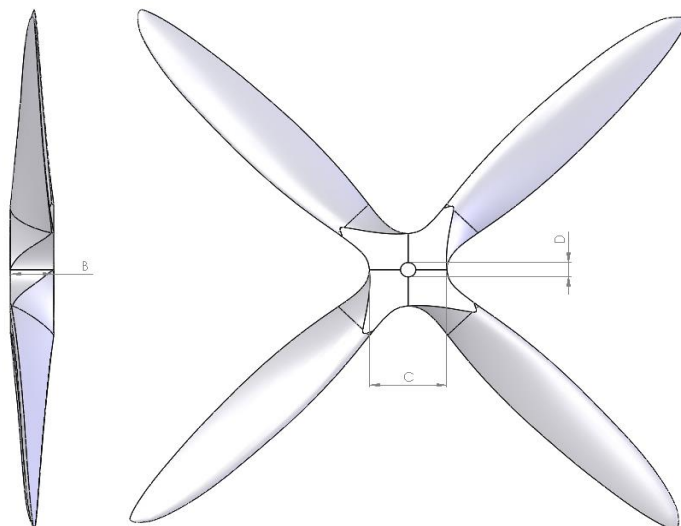


4 blade propellers

The technical dimension of Fiala propellers

(production tolerances 10 %)



Propeller marking	A (mm)	Pitch (mm)	X - Pitch angle at 75% of average (in degrees)	C (mm)	B (mm)	D (mm)
15x7	375	175		40	18	10
15x10	375	250		40	22	10
15x14	375	350		40	22	10
16x4	400	100		40	14	10
16x6	400	150	9,05°			10
16x8	400	200	11,99°	40	19,5	10
16x10	400	250	14,86°	40	22	10
16x12	400	300	17,67°	40	24	10
16x14	400	350	20,38°			10
17x6	425	150	8,52°			10
17x7	425	175	9,92°			10
17x8	425	200	11,30°			10
17x10	425	250	14,02°			10
17x11	425	275	15,36°			10
17x12	425	300	16,69°			10
17x14	425	350	19,27°			10
17x16	425	400	21,78°			10
18x6	450	150	8,06°			10
18x7	450	175	9,38°			10
18x8	450	200	10,69°			10
18x9	450	225	11,99°			10

18x10	450	250	13,27°	45	21	10
18x12	450	300	15,81°			10
18x14	450	350	18,28°			10
18x16	450	400	20,68°			10
19x5	475	125	6,38°			10
19x6	475	150	7,64°			10
19x8	475	200	10,14°			10
19x10	475	250	12,60°			10
19x12	475	300	15,01°	50	27	10
19x14	475	350	17,37°			10
19x16	475	400	19,68°			10
20x6	500	150	7,26°			10
24x4	500	100		50	15,5	10
20x7	500	175	8,45°			10
20x8	500	200	9,64°			10
20x10	500	250	11,99°	52	25	10
20x12	500	300	14,29°	50	28	10
20x14	500	350	16,55°			10
20x16	500	400	18,76°	50	30	10
21x6	525	150	6,92°			10
21x7	525	175		55	20	10
21x8	525	200	9,19°	54	22	10
21x10	525	250	11,43°	55	24	10
21x12	525	300	13,64°	55	26,5	10
21x14	525	350	15,81°			10
21x16	525	400	17,93°			10
22x6	520	150	6,61°	55	20	10
22x8	550	200	8,78°	55		10
22x10	550	250	10,92°	55	26	10
22x12	550	300	13,04°	55	25,5	10
22x14	550	350	15,12°	55	30	10
22x16	550	400	17,16°			10
23x7	575	175	7,36°			10
23x8	575	200	8,40°			10
23x10	575	250	10,46°	60	27	10
23x12	575	300	12,49°	60	30	10
23x14	575	350	14,49°	60	30,5	10
23x16	575	400	16,46°			10
24x6	600	150	6,06°			10
24x8	600	200	8,06°			10
24x10	600	250	10,03°	60	24,5	10
24x12	600	300	11,99°	60	28	10
24x14	600	350	13,91°	60	33	10
24x16	600	400	15,81°			10
24x18	600	450	17,67°			10

25x6	625	150	5,82°			10
25x8	625	200	7,74°			10
25x9	625	225	8,69°			10
25x10	625	250	9,64°	65	28	10
25x12	625	300	11,52°			10
25x14	625	350	13,38°			10
25x16	625	400	15,20°			10
26x6	650	150	5,60°			10
26x8	650	200	7,44°			10
26x10	650	250	9,28°			10
26x12	650	300	11,09°			10
26x14	650	350	12,88°			10
26x16	650	400	14,64°			10
26x18	650	450	16,38°			10
27x6	675	150	5,39°			10
27x8	675	200	7,17°			10
27x9	675	225	8,06°			10
27x10	675	250	8,94°	70	29	10
27x12	675	300	10,69°			10
27x14	675	350	12,42°			10
27x16	675	400	14,12°			10
27x18	675	450	15,81°			10
28x6	700	150	5,20°			10
28x8	700	200	6,92°			10
28x10	700	250	8,62°			10
28x12	700	300	10,31°			10
28x14	700	350	11,99°	70		10
28x16	700	400	13,64°	70	38	10
28x18	700	450	15,27°			10